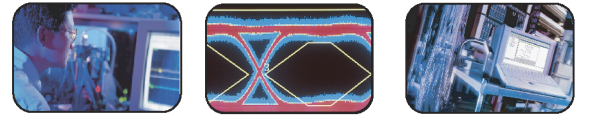
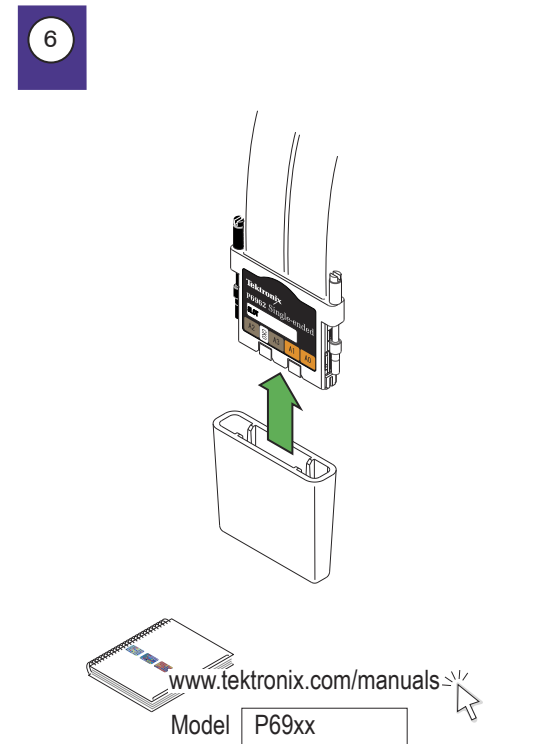
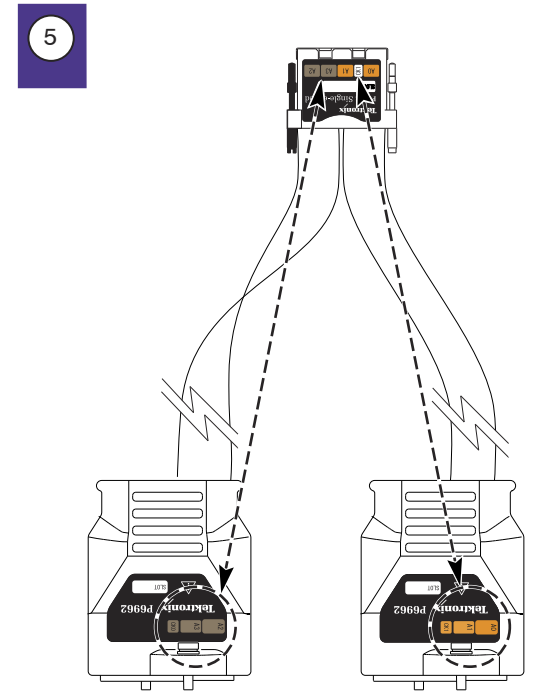
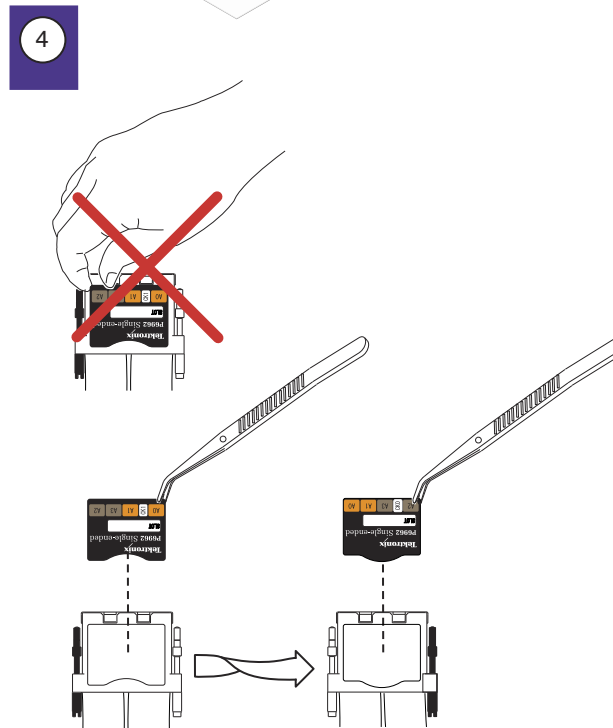
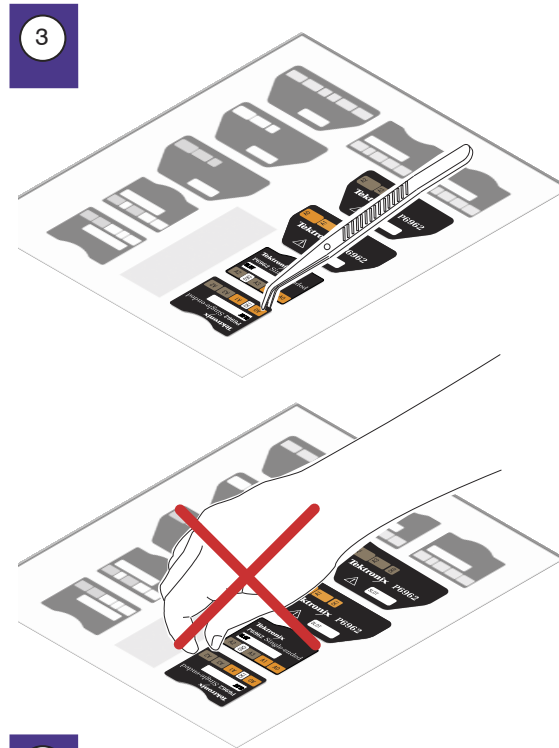
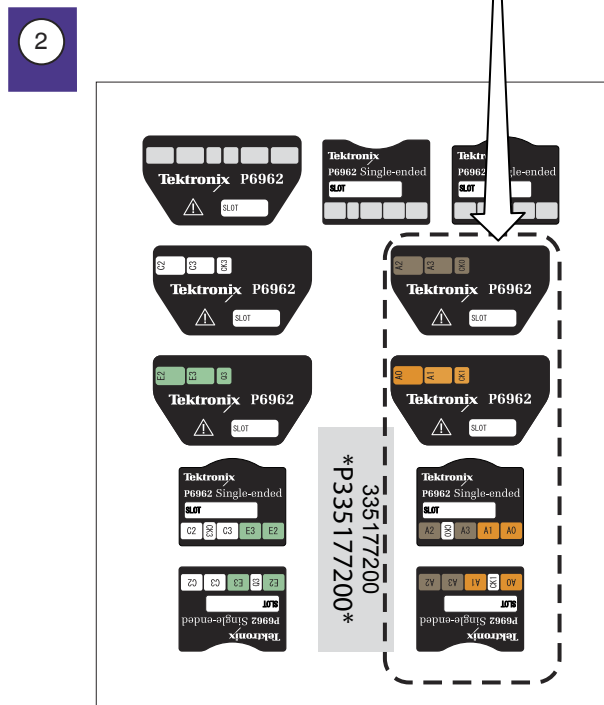
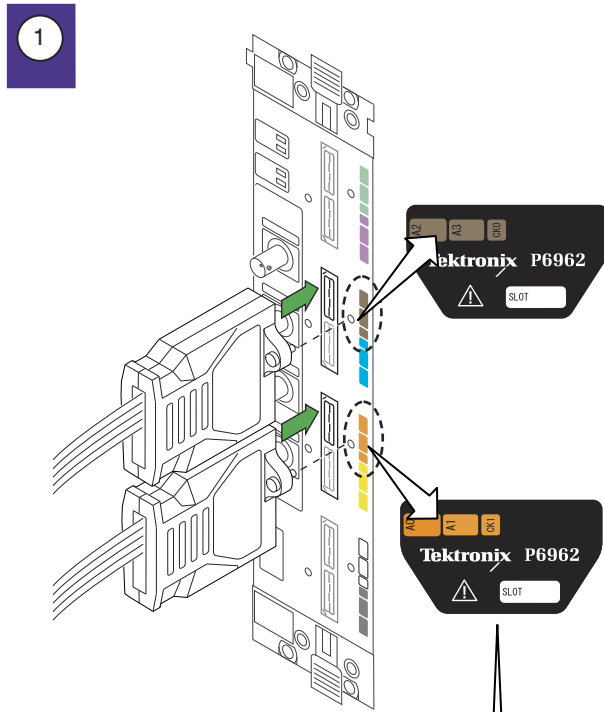
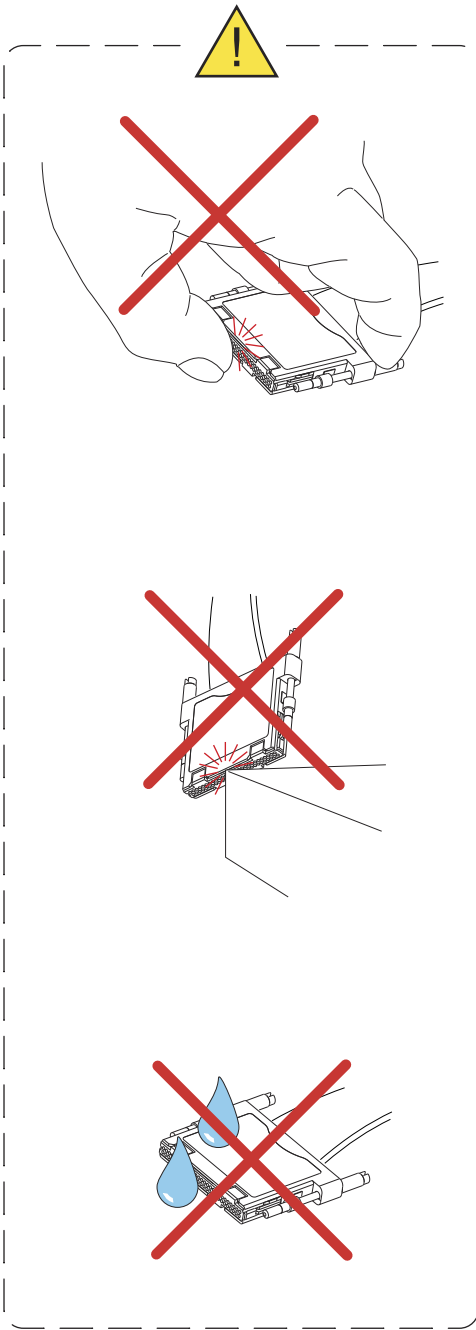


P6962
High Density Single-Ended
Logic Analyzer Probe
 with D-Max™ Probing Technology
Labeling and Installation





www.tektronix.com/manuals
Model P69xx